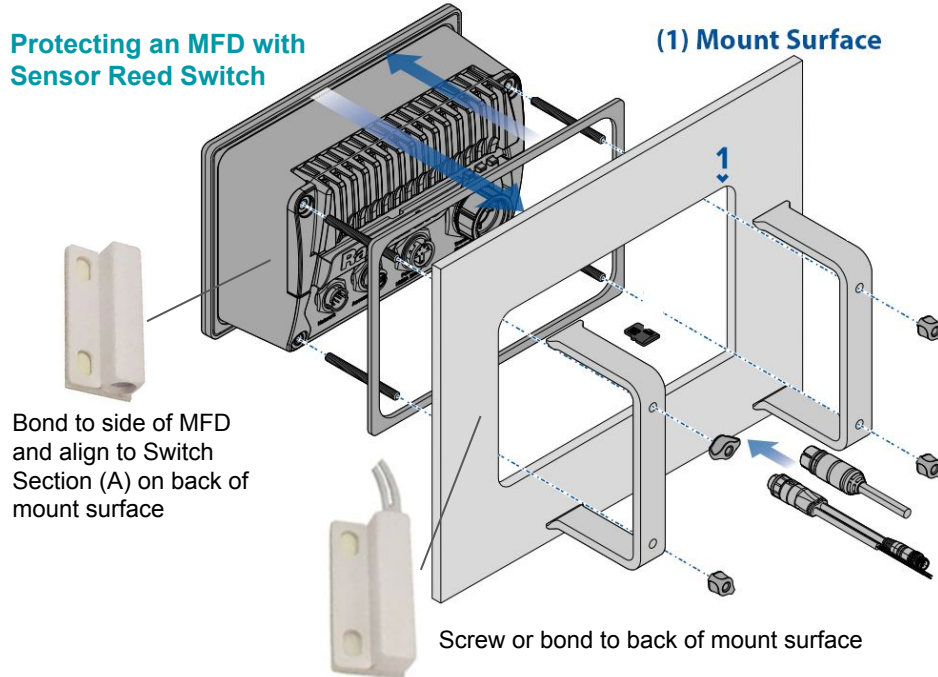


# Triton Security Sensors

**Sensor Reed Switch** is industrial grade and built to operate in a marine environment. The switch is miniature and comes with a 3M VHB on them for quick and easy mounting and can also be screwed down. They are hermetically sealed, so they're immune to the salt air and humidity degrading their performance; Rated to 4M contacts and -40-100C (-40F to 212F).

Protecting an MFD with  
Sensor Reed Switch

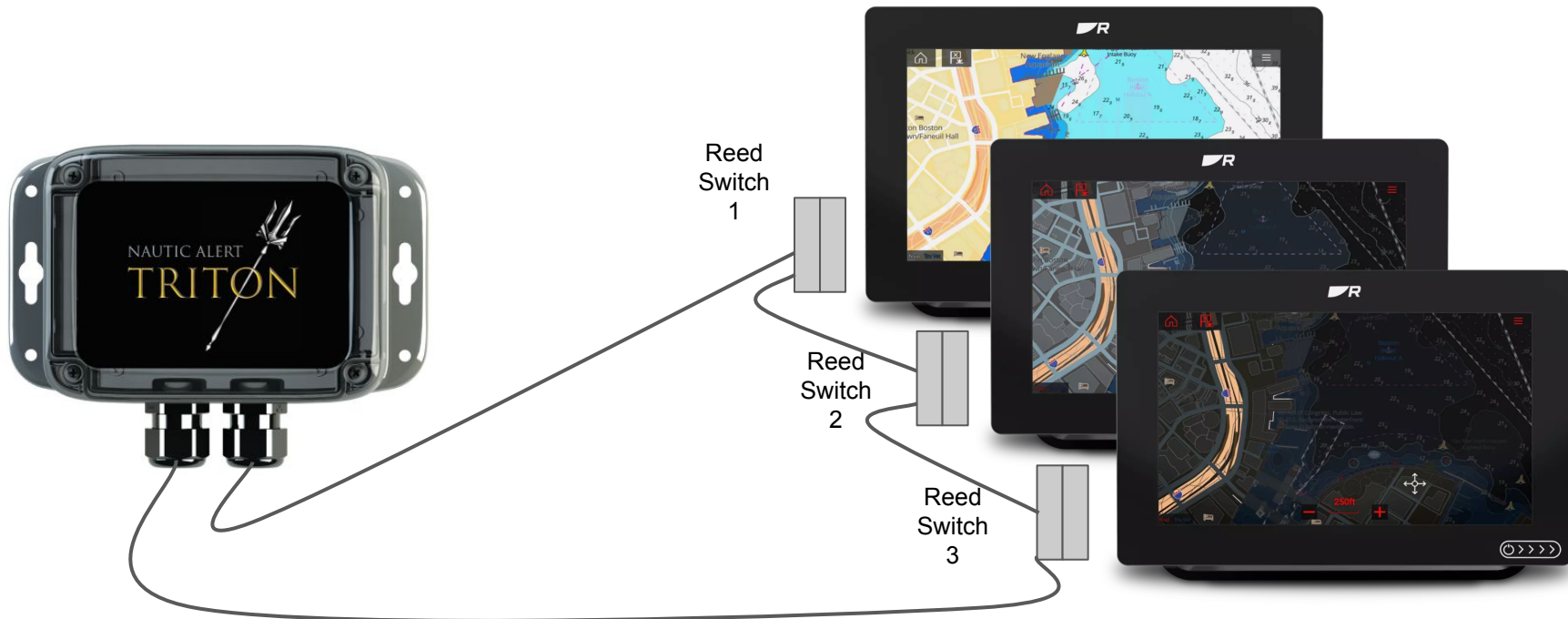
(1) Mount Surface



**Part Number: NA-SS-SRS-1**

# Triton Security Sensors

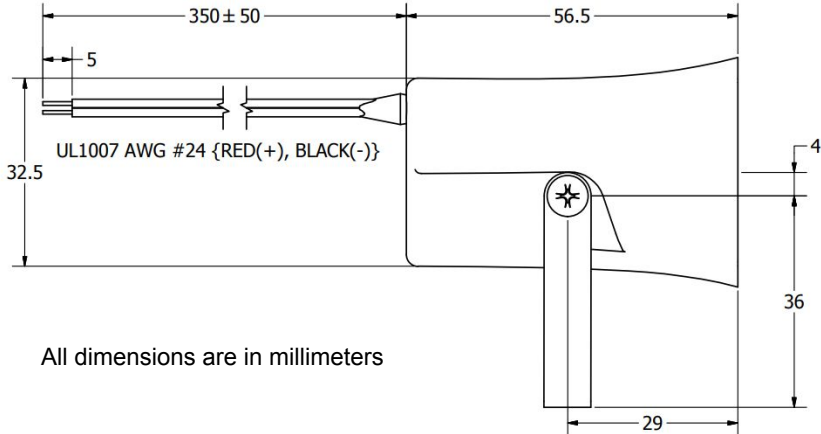
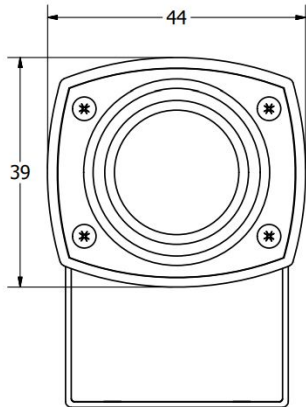
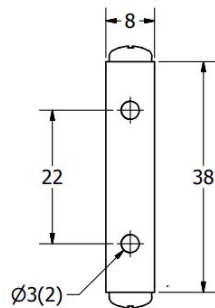
Sensor Reed Switch installation.



# Triton Security Sensors

**Siren Indicator** - Provides audio notification when the security system is armed and a security event occurs onboard the vessel

Audio loudness = 125 SPL (dB)



All dimensions are in millimeters



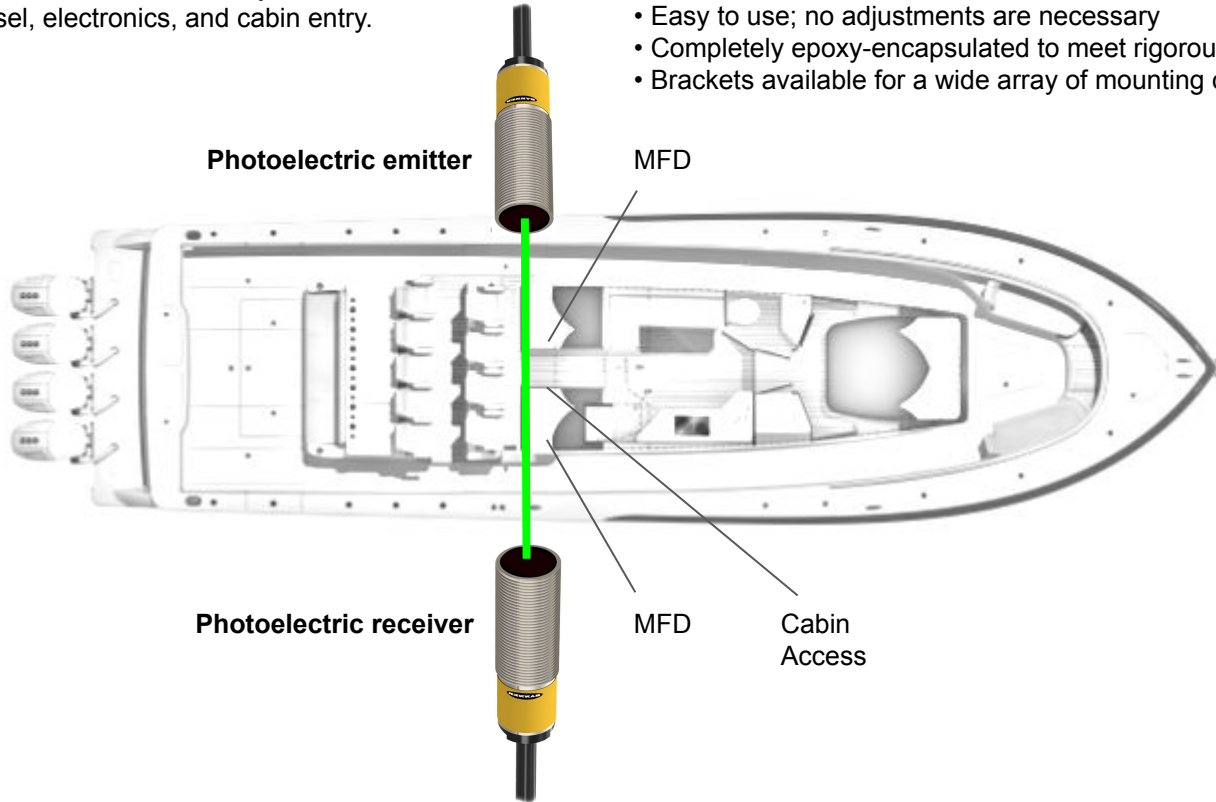
**Part Number: NA-SS-SI-1**

# Triton Security Sensors

## DC Photoelectric Sensor Kit

Detects unauthorized entry and access to vessel, electronics, and cabin entry.

- Stainless steel design
- 2 ea (emitter and receiver), 18 mm threaded-barrel sensors
- Easy to use; no adjustments are necessary
- Completely epoxy-encapsulated to meet rigorous IP69K standards for pressure washdowns
- Brackets available for a wide array of mounting options



- Directly connects to Triton.
- No additional components required.
- Includes emitter barrel, receiver barrel, and 2 stainless mounts.

**Note:** This is a long-lead item of approximately 45-days.

**Part Number: NA-SS-PH-1**